

S/STEEL CF8/ CF8M

# 'Y' TYPE STRAINER

**BOLTED BONNET FLANGED  
(INVESTMENT CASTING).**

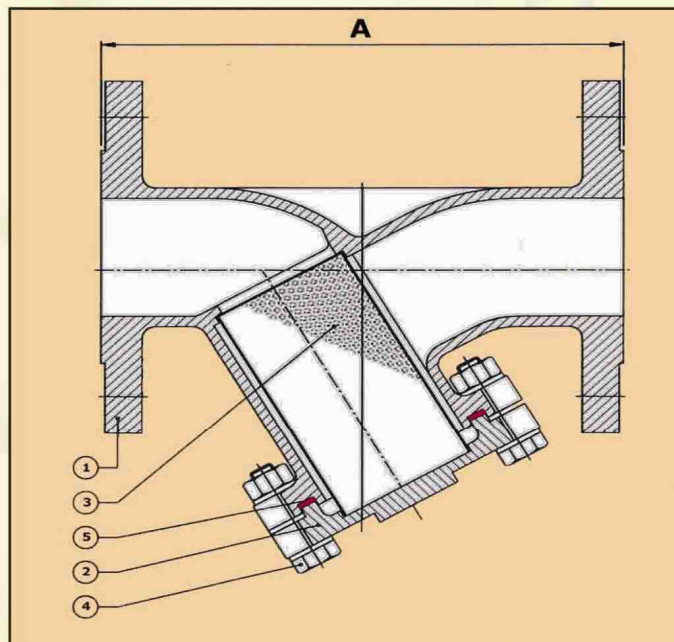


AN ISO 9001 CERTIFIED CO.



**TECHNICAL DATA :-**

END CONNECTION : FLANGED END TO  
ANSI B 16.5 RF 150#



<b>SERVICE RATING</b>	
<b>HYDRAULIC TEST PRESSURE</b>	
<b>BODY</b>	<b>425 PSI</b>

<b>BILL OF MATERIAL</b>			
<b>SR. NO.</b>	<b>NOMENCLATURE</b>	<b>QTY</b>	<b>MATERIAL</b>
1	BODY	1	S.S. 304/ 316.
2	COVER	1	S.S. 304/ 316.
3	SCREEN	1	S.S. 304/ 316.
4	NUT + BOLT	4	S.S. 304/ 316.
5	GASKET	1	PTFE (TEFLON).

ALL DIMENSIONS ARE IN M.M.

SIZE	15	20	25	32	40	50	65	80	100	125	150
<b>"A" (FI TO FI)</b>	<b>108</b>	<b>117</b>	<b>127</b>	<b>140</b>	<b>165</b>	<b>203</b>	<b>216</b>	<b>241</b>	<b>292</b>	<b>355</b>	<b>406</b>

-: MFG :-  
**VALSON VALVES MFG. CO.**  
**AHMEDABAD.**  
 Visit us : [www.valsonvalves.com](http://www.valsonvalves.com)

~: DEALER ~: